

# **JEITA-IBIS Joint Meeting Report in JAPAN & Asian IBIS Summit**

**Jun 14, 2005  
IBIS SUMMIT in Anaheim, California**

**JEITA EDA-WG  
T. Watanabe (NEC Electronics) ,A. Ito (Panasonic)**

*JEITA ; Japan Electronics and Information Technology Industries Association*

# Outlines

- 1. JEITA EDA-WG Activities**
- 2. JEITA-IBIS Joint Meeting Report**
- 3. Next JEITA-IBIS Joint Meeting Plan**

# 1. JEITA EDA-WG Activities

## Objectives of JEITA EDA

### EDA Model for

#### Digital Consumer Electronics

Cellular Phone, LCD /PDP TV,  
Digital Camera/Video, DVD Recorder

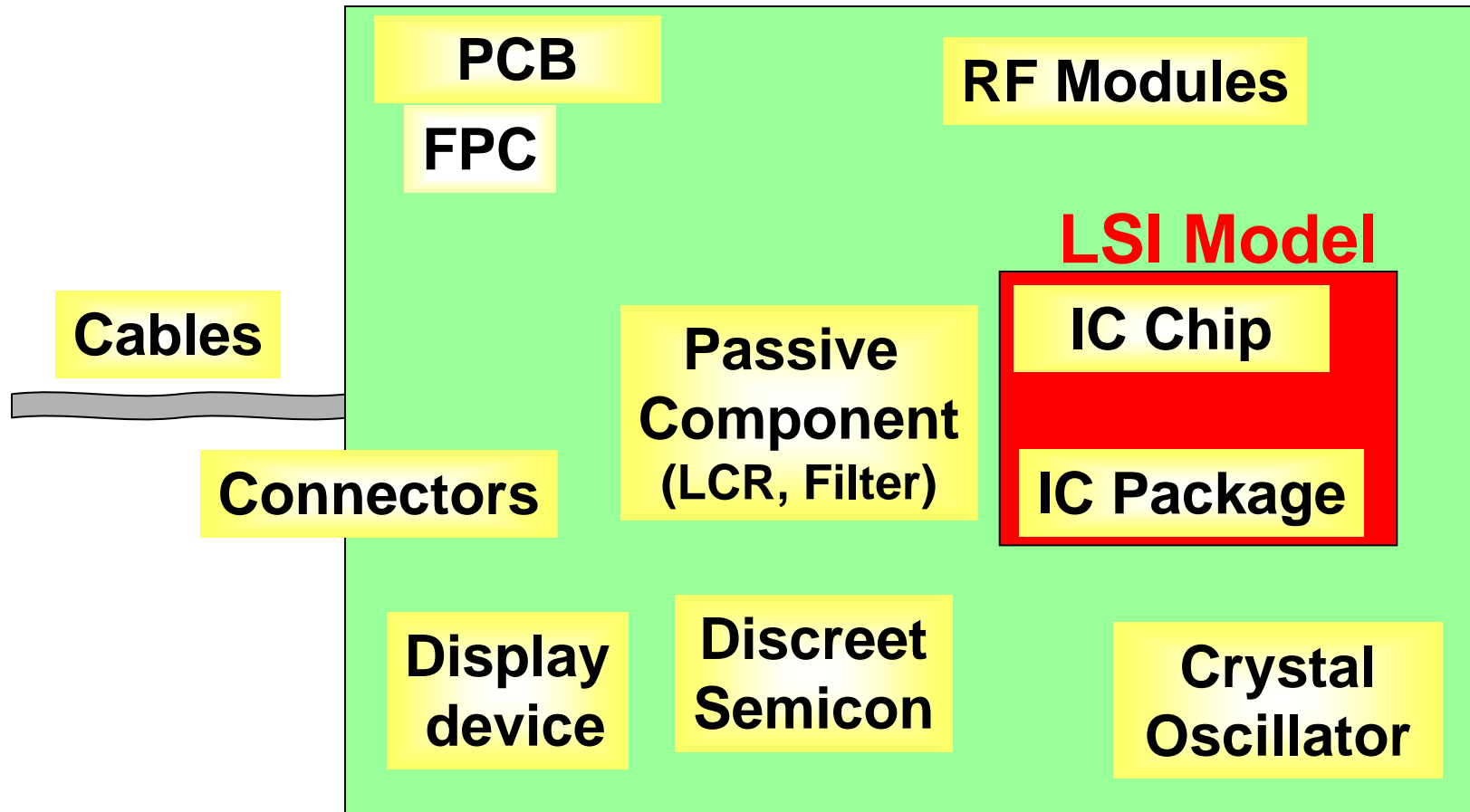
(Digital , RF, and Analog circuits)

#### Auto Mobile Electronics ?

(Motor Drive, EMC)

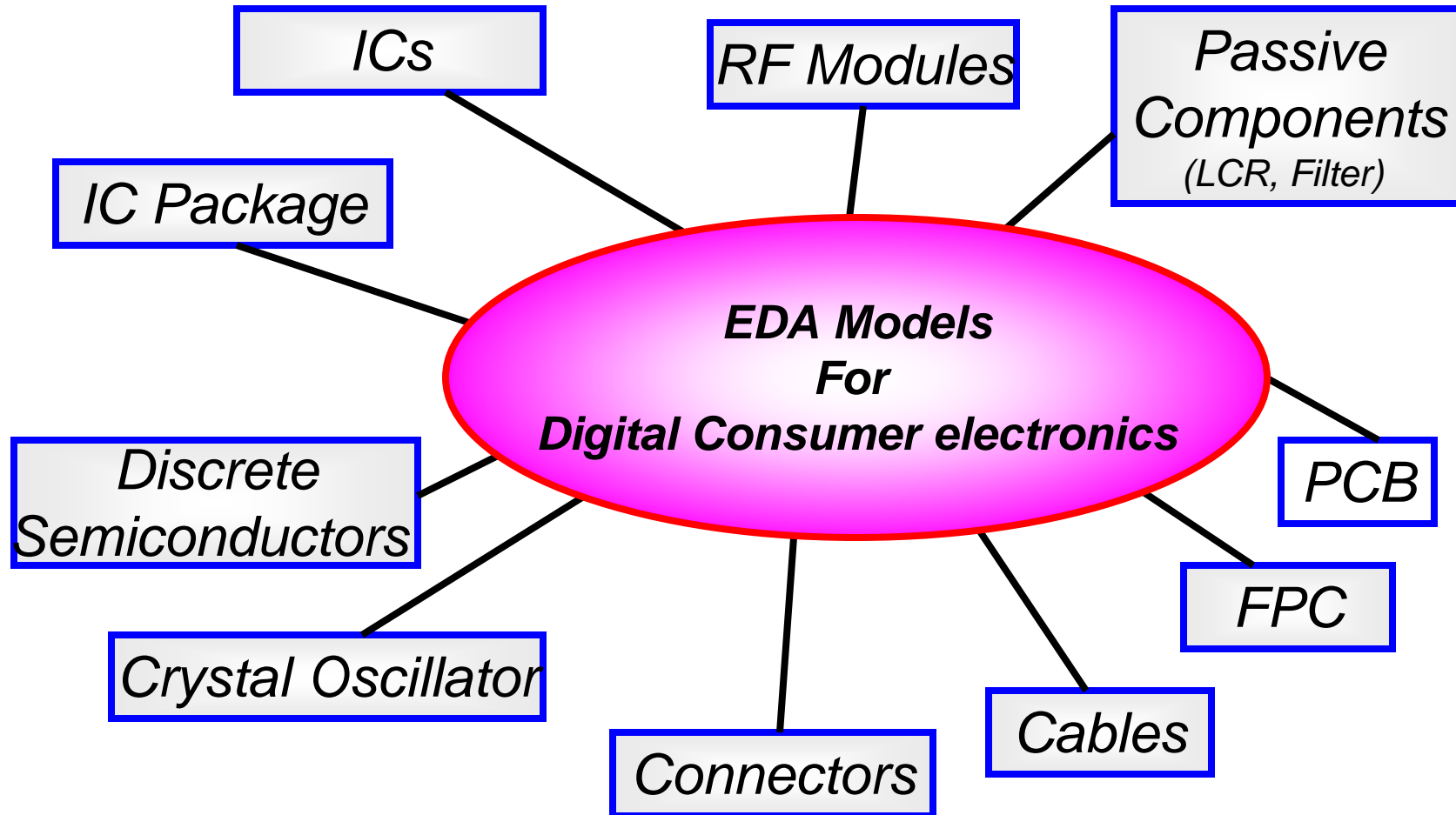
< Applicability of IBIS V4.1 >

# EDA Model for SI, PI and EMI Simulation



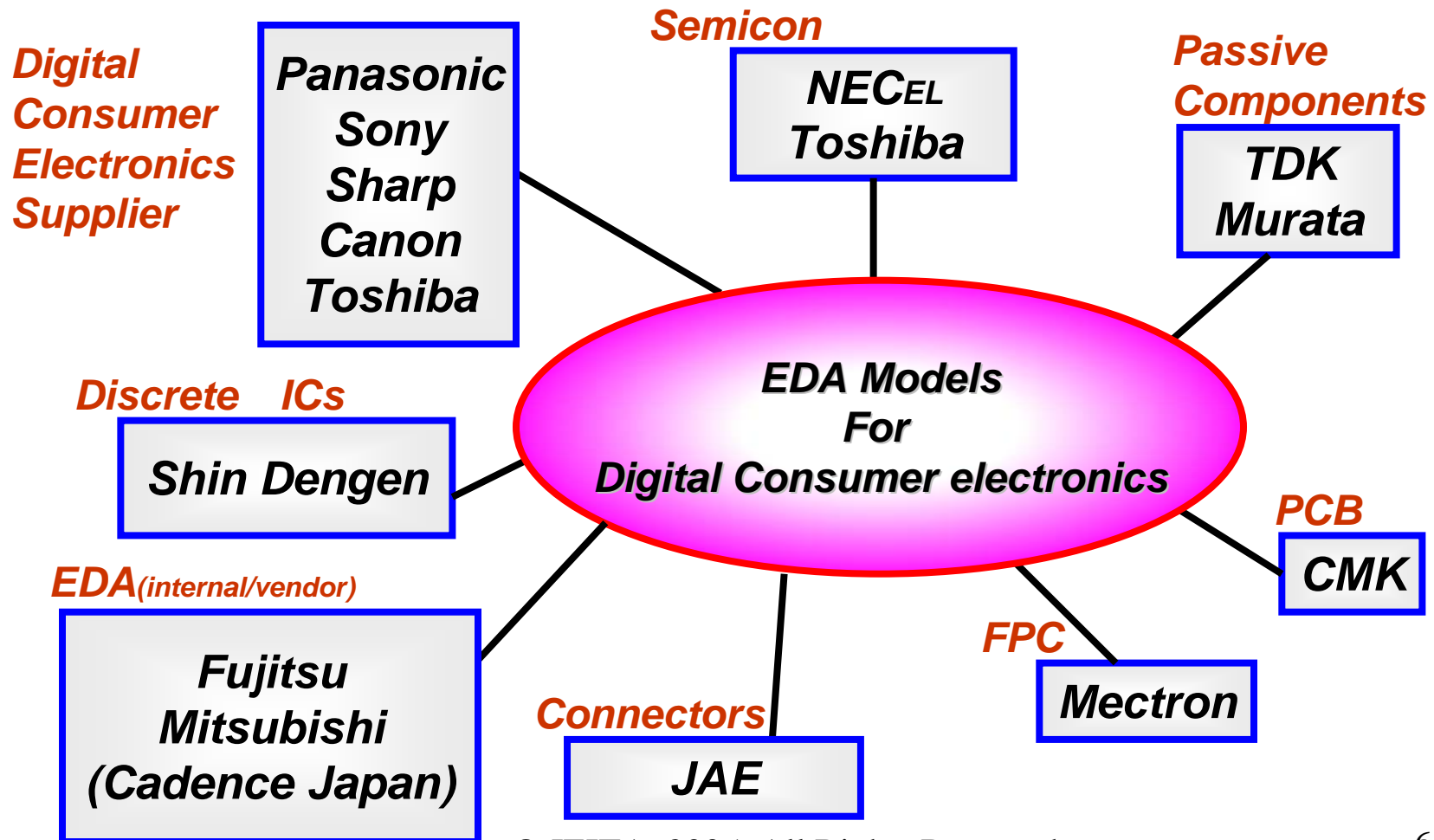
# Focus of EDA Model for Simulation

## 10 components



# JEITA EDA-WG Member

## 16 Major Companies



## 2. JEITA-IBIS Joint Meeting Report

**Date:** March 24,2005

10:00-17:00 Meeting, 17:30 ~ Party

**Place:** JEITA meeting room (Tokyo, Japan )

**Present list member:**

US IBIS	Michael Mirmak, Syed Huq, Lance Wang	3 person
JEITA	EDA-WG member	40 person

**Hosted by JEITA EC center**

**Purpose:**

**IBIS is the most popular international EDA standard model.**

**To proceed the advanced and efficiency design of digital information appliance using simulation, JEITA sponsored the forum to exchange the opinion directly with IBIS Open Forum members about the device model for simulation.**

**This is so helpful to decide the direction of the acceleration of the EDA model circulation and the business development for BOTH.**

# JEITA - IBIS Joint Meeting Agenda

– For standardization and distribution promotion of the EDA model –

2005/03/24

EDA-WG

- 10:00-10:30** Welcome to Joint Meeting.  
Greeting and introduction of EDA-WG activity.  
Technical Committee for Standardization Chairman Fumio Tanaka  
(Panasonic)  
JEITA EDA-WG Chairman Atsuji Ito (Panasonic)
- 10:30-11:15** IBIS Status and Future Direction  
EIA IBIS Chairman Michael Mirmak (Intel Corporation)
- 11:15-11:45** Theme 1: 『Multi-Gigabit SerDes Simulations using IBIS V4.1(VHDL-AMS)』  
EIA IBIS Vice Chairman Syed Huq (Cisco Systems Inc)
- 11:45-12:15** Theme 2: 『IBIS in Applications - using IBIS for Complex-IO Modeling』  
EIA IBIS member Lance Wang (Cadence Design Systems)
- 12:15-13:15** LUNCH
- 13:15-13:45** Theme 3: 『Modeling Formats and Procedures at Intel』  
EIA IBIS Chairman Michael Mirmak (Intel Corporation)
- 13:45-14:15** Theme 4: 『EMI Simulation Model for LSI』  
JEITA EDA-WG Vice-Chairman Takeshi Watanabe (NEC Electronics)
- 14:15-14:45** Theme 5: 『SI and EMI modeling issues for Connector』  
JEITA EDA-WG member Hiroaki Ikeda (Japan Aviation Electronics)
- 14:45-15:15** Theme 6: 『Example of Noise decrease design for digital equipment』  
JEITA EDA-WG member Toshiro Sato (Fujitsu)
- 15:15-15:30** BREAK
- 15:30-17:00** Discussion Proceeding by Norio Matsui (Applied Simulation Technology)  
Q&A
- 17:30-19:00** PARTY



## JEITA-IBIS Joint Meeting in Tokyo Surveys

Sample size =24 40attendance

1. 96% say that the meeting was very useful.

Was the meeting useful ?



**Yes; 96% (23 person)**

4% (1 person)

No presentation for Passive Components

2. 100% say that We want to continue JEITA-IBIS Joint Meeting.



**100% (24 person)**

**We would like to go on having JEITA-IBIS meeting.**

1. Impression of the Joint Meeting

**Very Good 23 (96%) ,**

<Comments>

- 1. Could understand well about EDA Model and IBIS activity Now and Future.
- 2. Exchange opinion with IBIS members was very good.
- 3. Very Good meeting to understand EDA model but need more information about passive components.

**Not so good 1 (4%)**

<Comments>

Few information & discussion about passive components.

2. Do you want to open such a conference in future ?

**Yes 24 (100%)**

<Comments

- 1. For Exchange the information 15
- 2. Understand overseas activity 2
- 3. Communication 2
- 4. Shoud open this meeting when IBIS New version released 2
- 5. Open Once a Year 2
- 6. Open every year (as a regular meeting) 3

### 3. Questions

1. What's IBIS goal ?  
Are all kind of IC supported by IBIS ?
2. How to Avoid function of overlap between IBIS and AMS ?  
How to joint IBIS Forum and AMS Group ?
3. Could we proposal Passive Components model in IBIS Forum ?
4. How about plan to activity External circuit such as AMS/SPICE  
over the next year or so
5. JEITA EDA WG would like to translate IBIS v4.1 Cookbook  
from English to Japanese.  
Could we receive permission from the copyright owner ?

## 4、Free Comments

- ① **Very good Meeting and very useful .**
- ② **Thank you very much for setting a nice meeting.**  
**It appreciates the JEITA people which it had set up such an opportunity .**
- ③ **It was very helpful because it could hear to the status of the latest IBIS and the suitable business example.**
- ④ **It was the good opportunity when we present Japanese conditions to EIA/IBIS.**
- ⑤ **I want his meeting to go on future.**
- ⑥ **Very Good meeting to exchange technological information with other companies including foreign countries.**
- ⑦ **It could be done by Japanese language to understand easy for us.**
- ⑧ **It was very good. Many subject was solved.**
- ⑨ **Nice presentation and Q&A. Also Good time schedule.**
- ⑩ **This meeting is continued with this form, and it want it carried out.**
- ⑪ **Very Good case example, AMS of V4.1 and Macro modeling.**
- ⑫ **I want to ask for Joint meeting with IBIS and the semiconductor manufacturer.**
- ⑬ **It was cleared IBIS V4.1 and AMS usage. Could understand image well.**
- ⑭ **Understood IBIS status and future direction.**
- ⑮ **A user side wanted to listen to the request from the supply side of IBIS.**  
**Need more presentation from supply side company.**

# 3. Next JEITA-IBIS Joint Meeting Plan

## IBIS Forum in Japan or Asia (Plan)

**Date:** March ,2006 (every spring continuously)  
10:00-17:00 Meeting, 17:30 ~ Party

**Place:** JEITA meeting room (Tokyo, Japan )

**Present list member:**

US IBIS member and JEITA EDA-WG member

**Hosted by JEITA EC center**

**Purpose:**

**IBIS is the most popular international EDA standard model.**

**To proceed the advanced and efficiency design of digital information appliance using simulation, JEITA sponsored the forum to exchange the opinion directly with IBIS Open Forum members about the device model for simulation.**

**This is so helpful to decide the direction of the acceleration of the EDA model circulation and the business development for BOTH.**

**Thank you for all the help**

**EIA/IBIS Committee!**