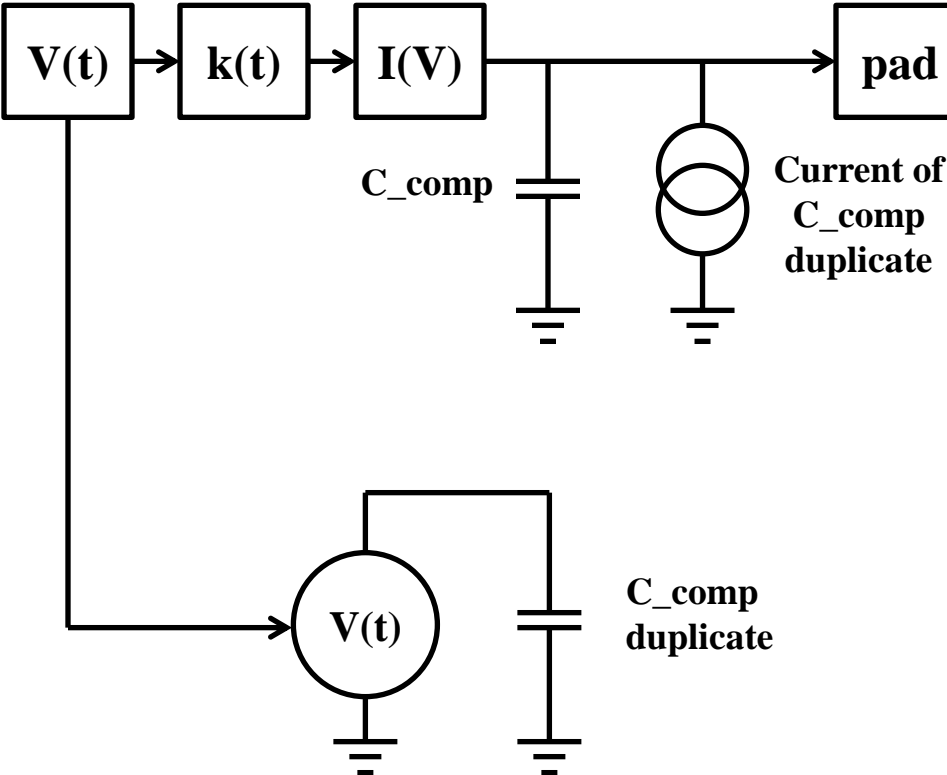


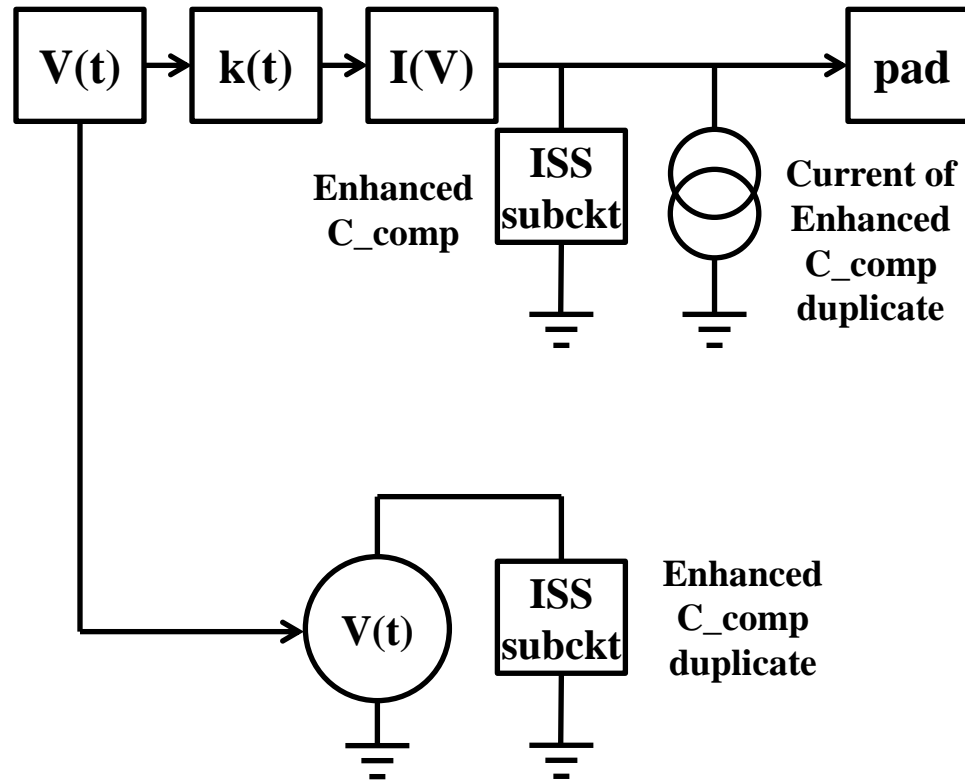
Enhancing C_comp for IBIS

**IBIS-ATM teleconference
November 11, 2014**

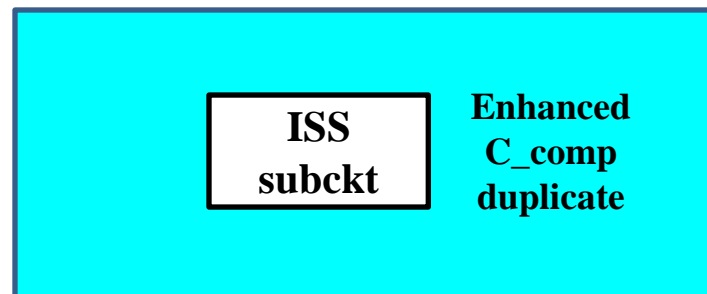
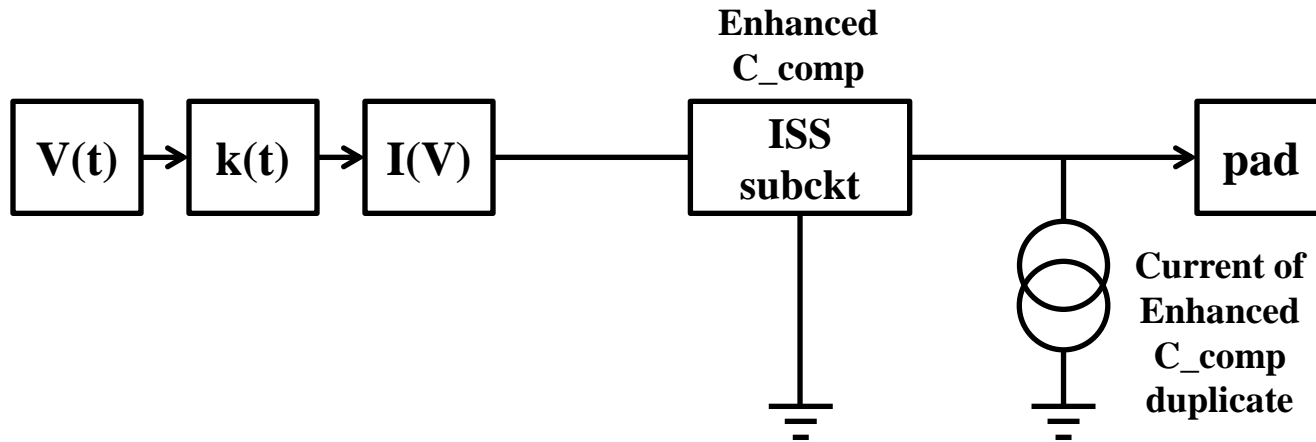
One method for C_comp compensation



Extended C_comp compensation (parallel)

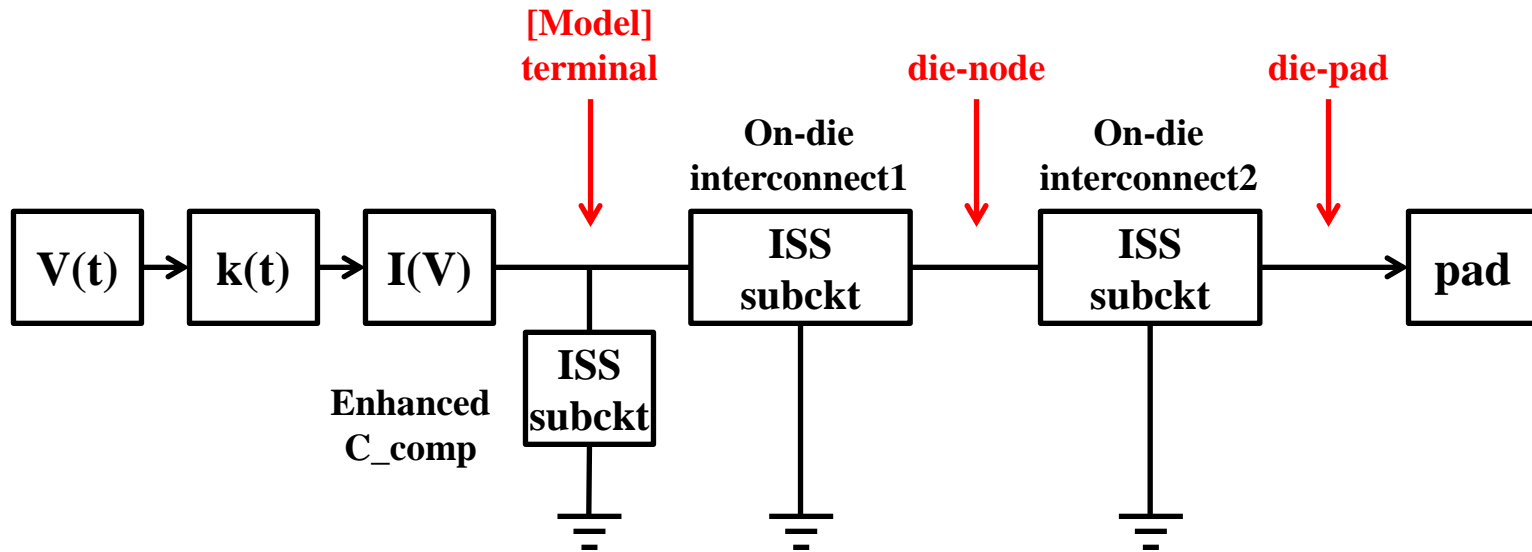


Extended C_comp compensation (complex)



**Internal test circuit to obtain
the compensation current**

Extended C_comp compensation proposal



- **The EDA vendor can compensate at any point in this circuit**
- **We just need to find a way in IBIS to specify the location for the compensation**
 - [Model]'s signal terminal
 - die-pad
 - any die-node between [Model] and die-pad, declared by [Node Declarations]
- **This may be done by a simple subparameter under [Model]**