

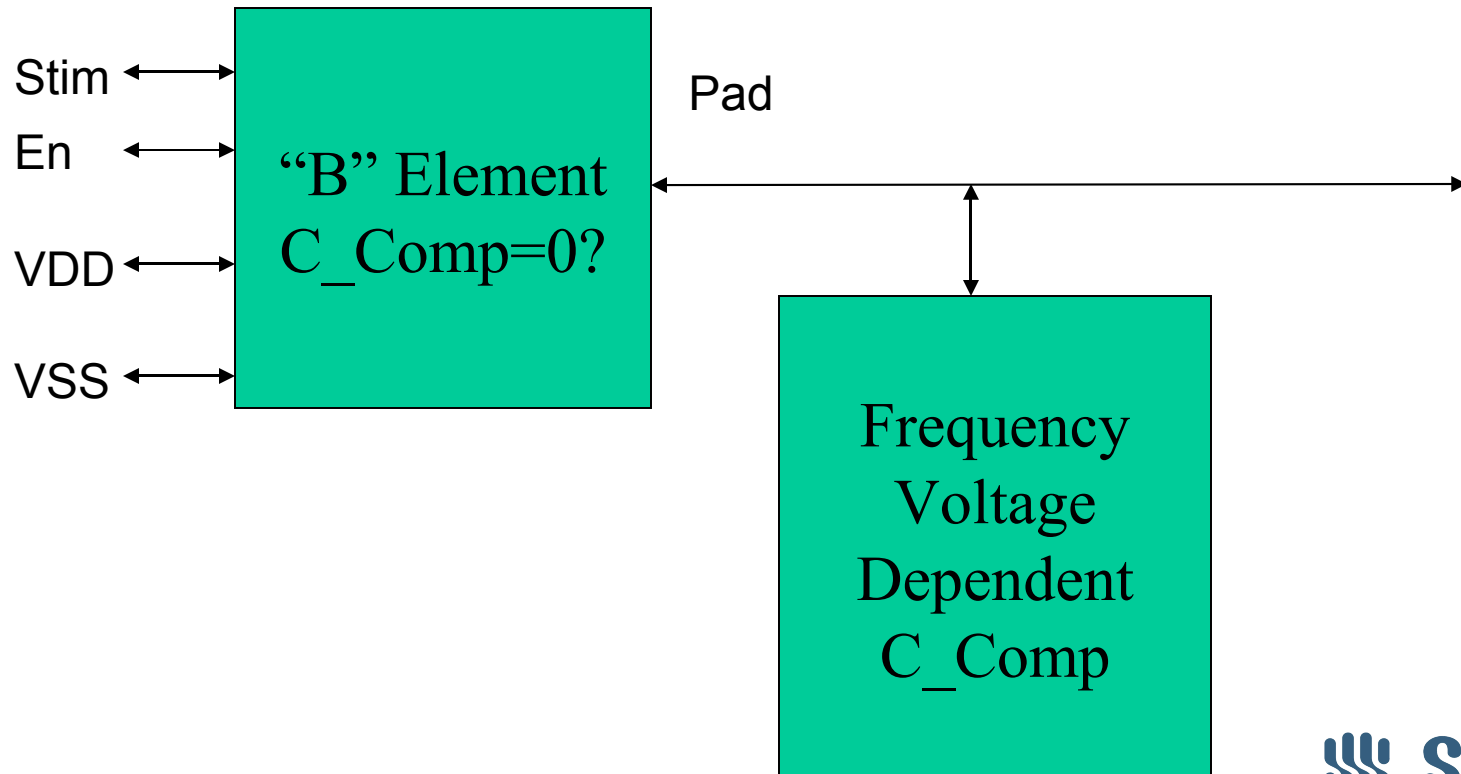
Final Stage Subckt

Walter Katz

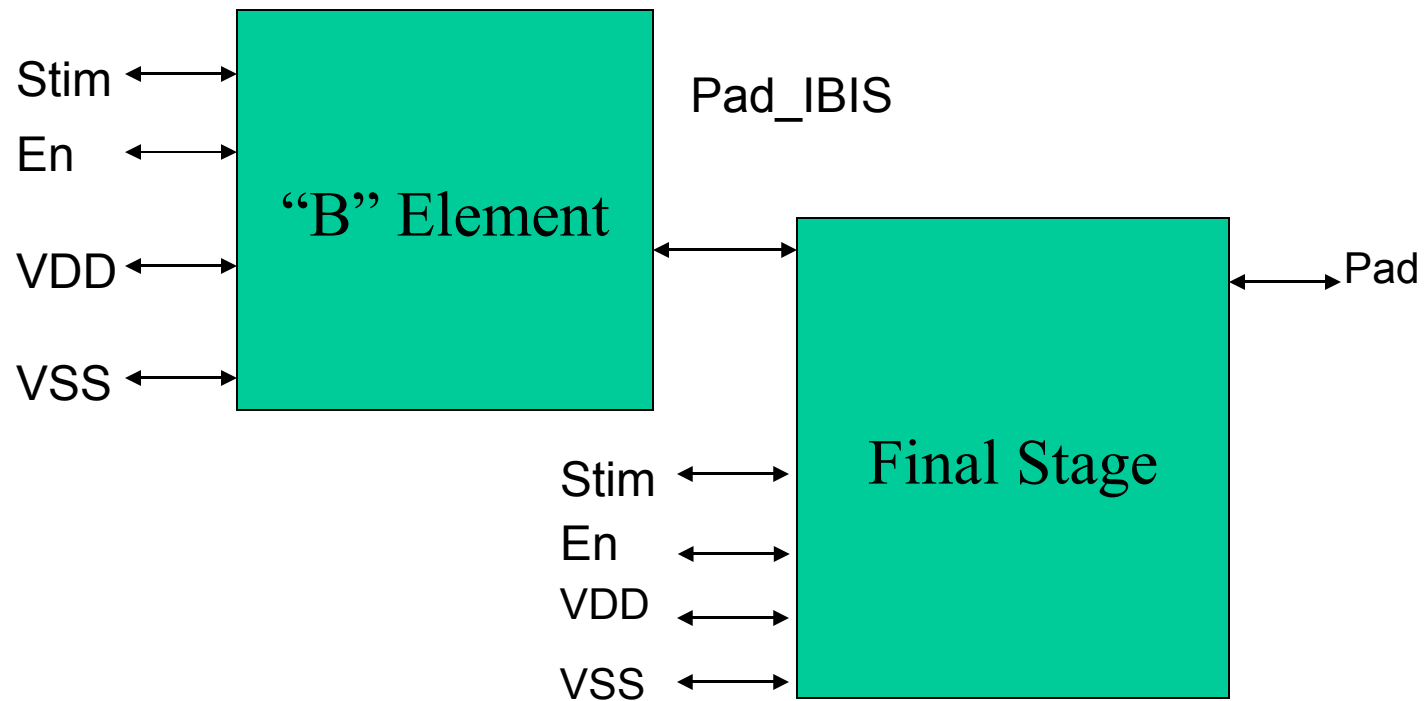
SiSoft

October 21, 2008

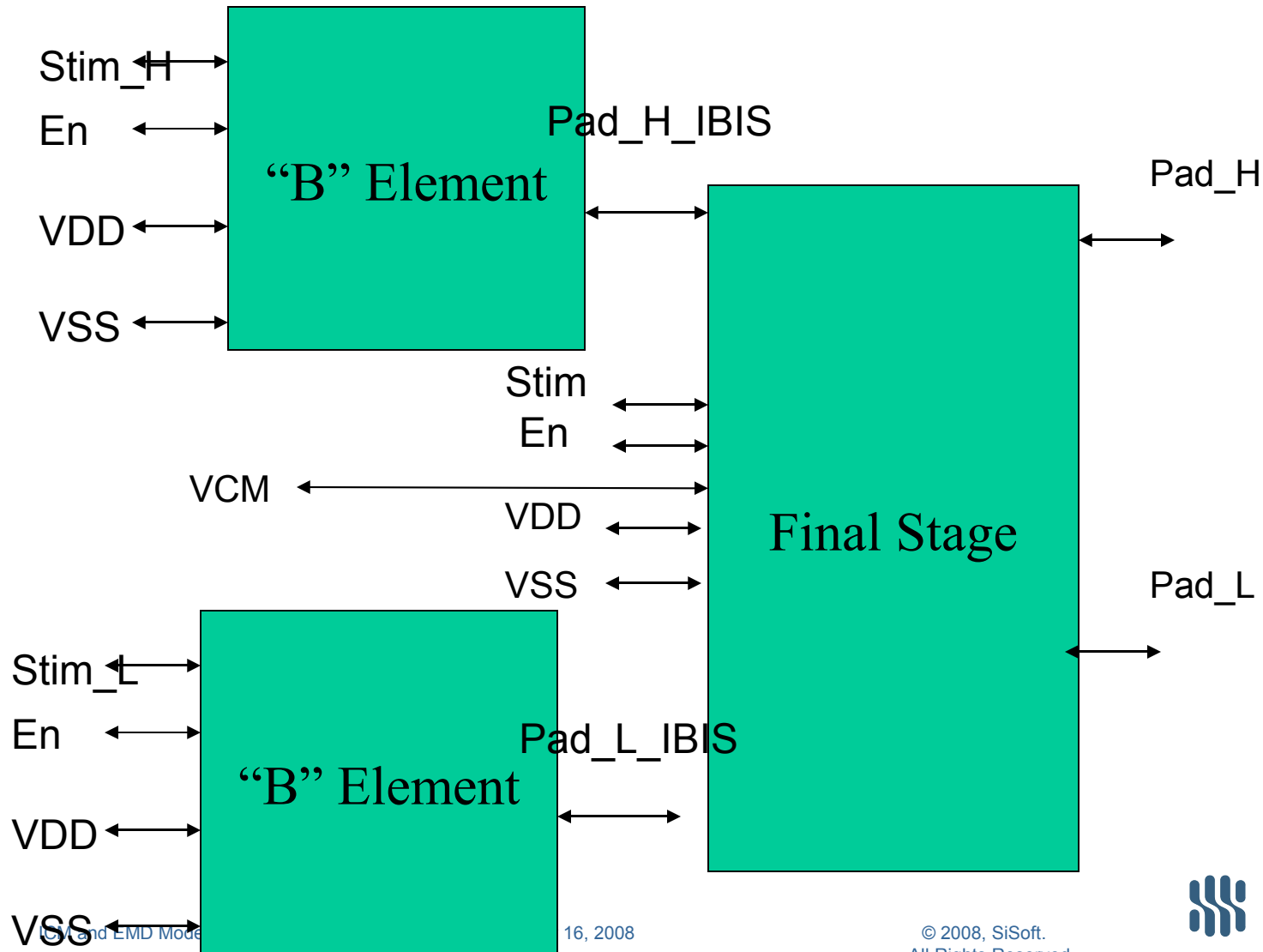
IBIS “B” with Complex C_Comp



Isolate “B” from Final Stage Single Ended IO



Isolate “B” from Final Stage Differential IO



Isolate “B” from Final Stage Differential Rx

