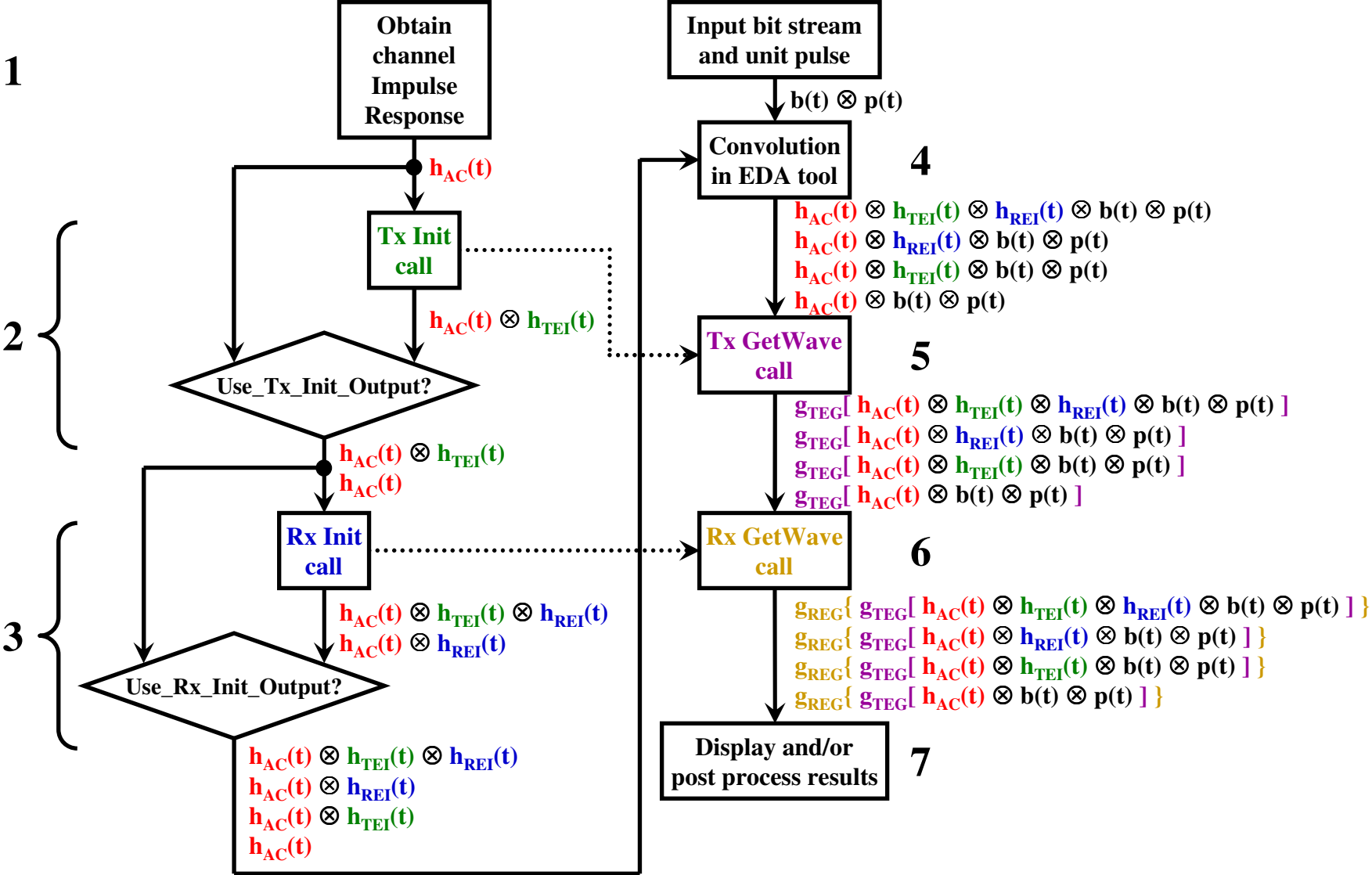
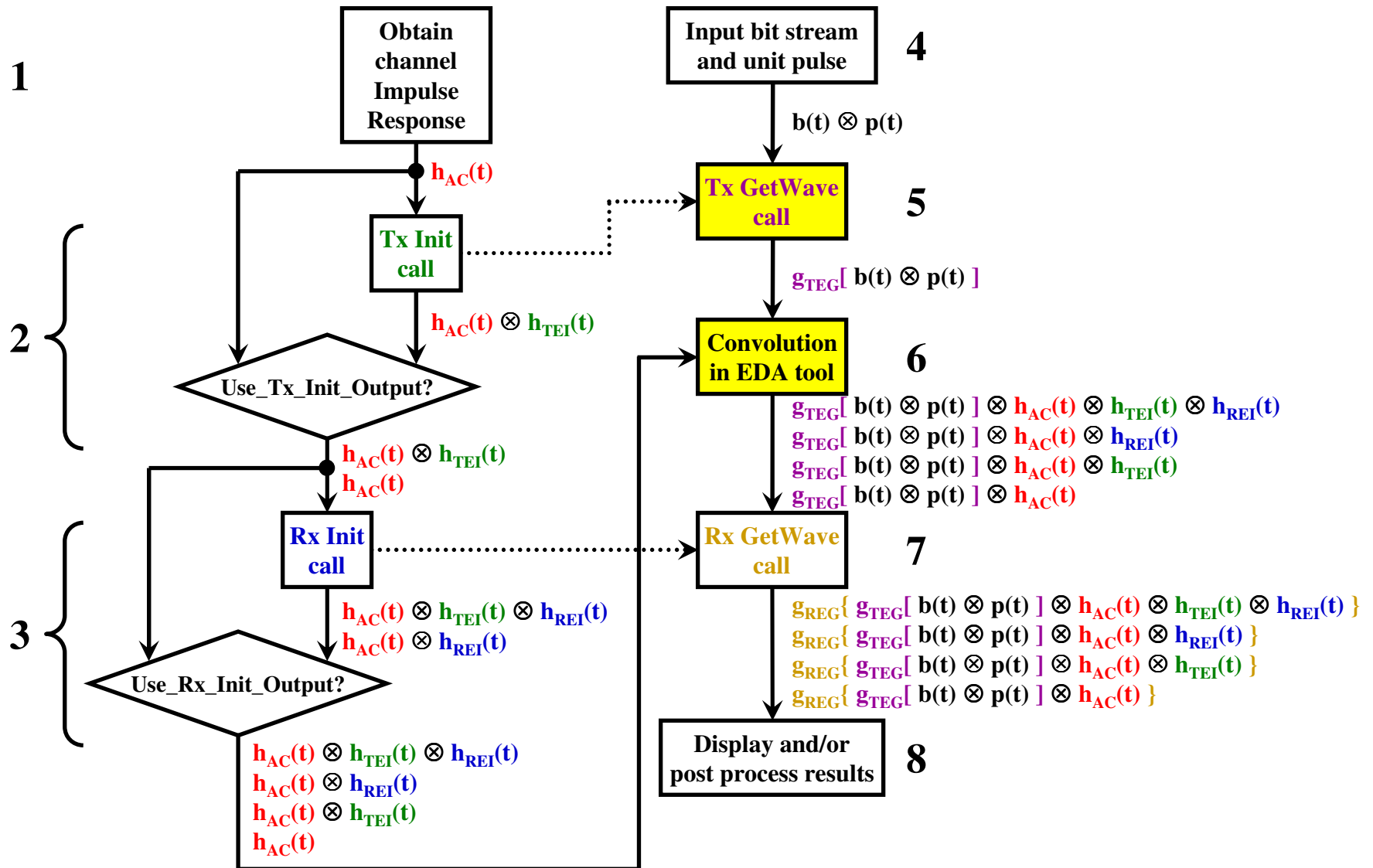


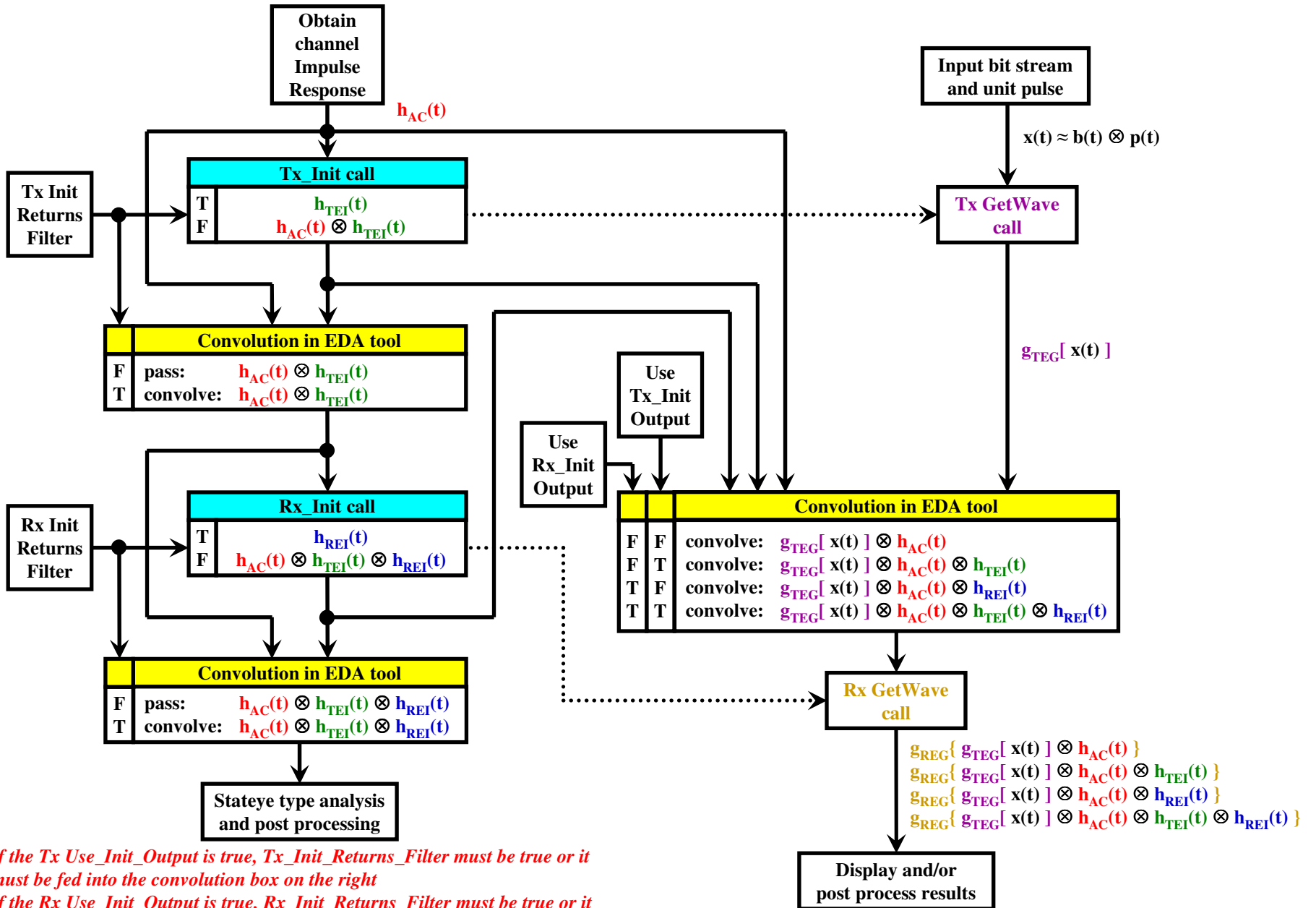
Current AMI Flow (based on the IBIS v5.0 specification)



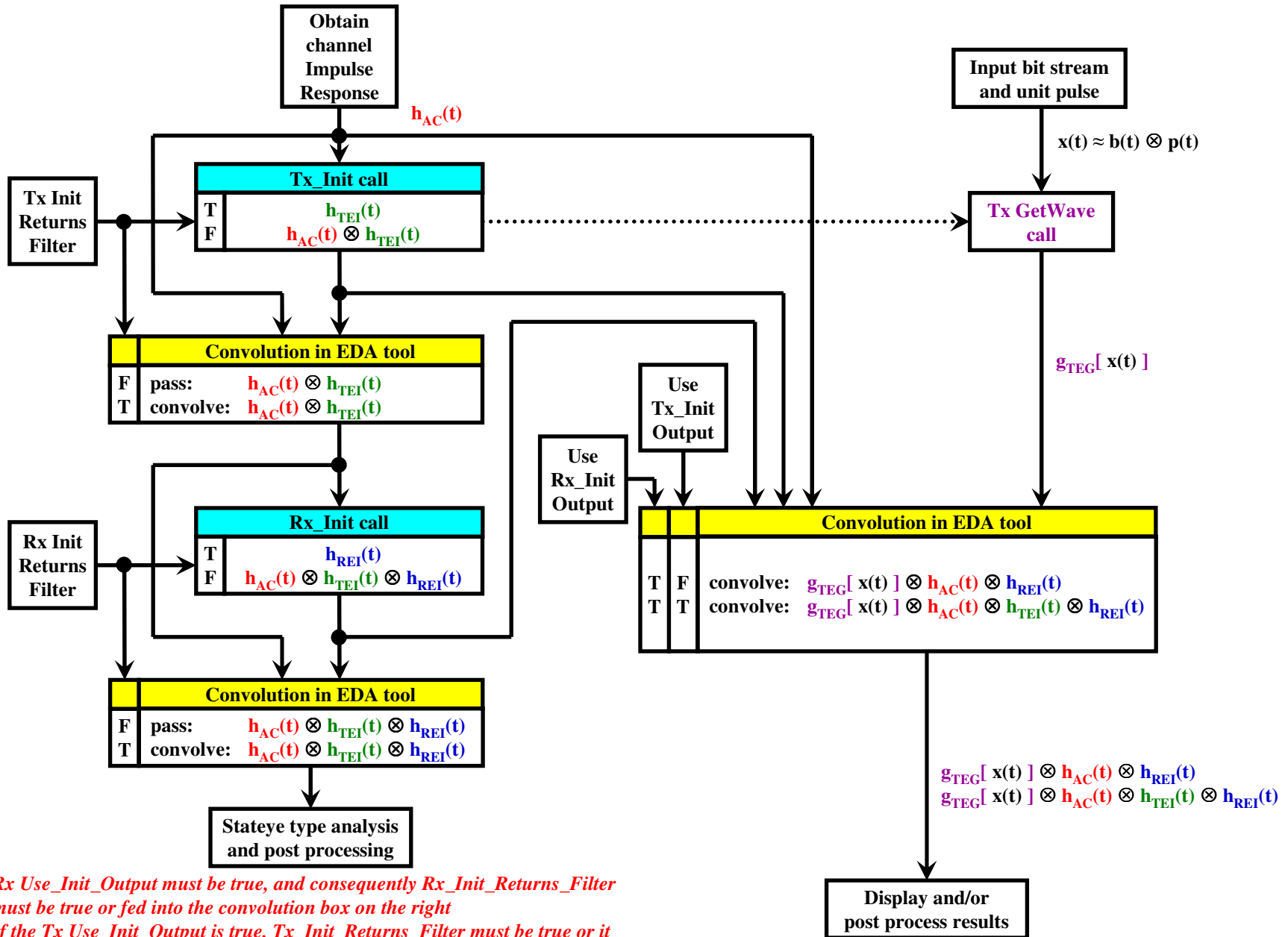
Proposed AMI Flow (based on Walter's email on 9/8/2009)



Walter's Proposed AMI Flow (9/15/2009) - complete



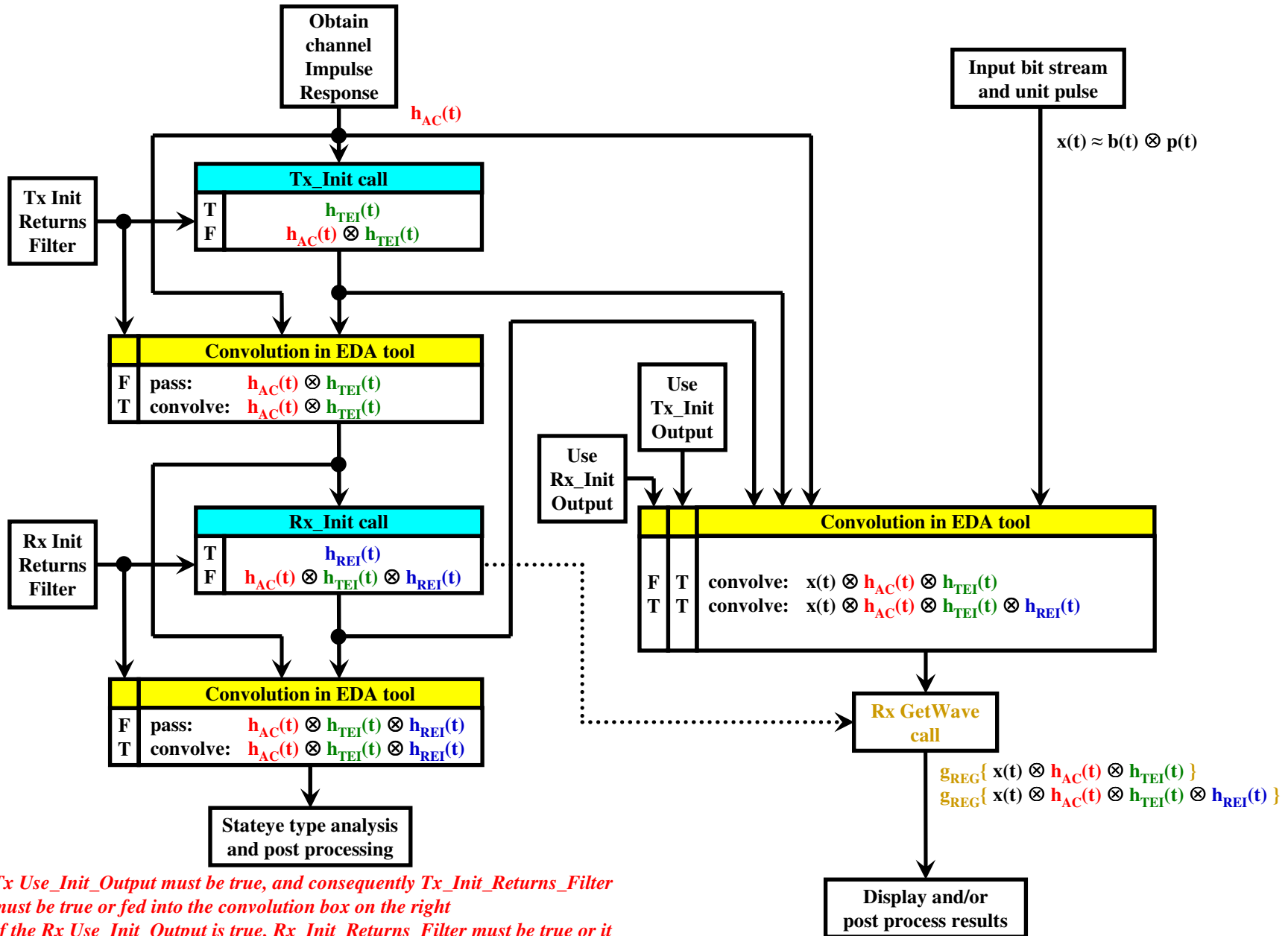
Walter's Proposed AMI Flow (9/15/2009) - only Tx_GetWave



Notes:

1. Rx Use_Init_Output must be true, and consequently Rx_Init_Returns_Filter must be true or fed into the convolution box on the right
2. If the Tx Use_Init_Output is true, Tx_Init_Returns_Filter must be true or it must be fed into the convolution box on the right

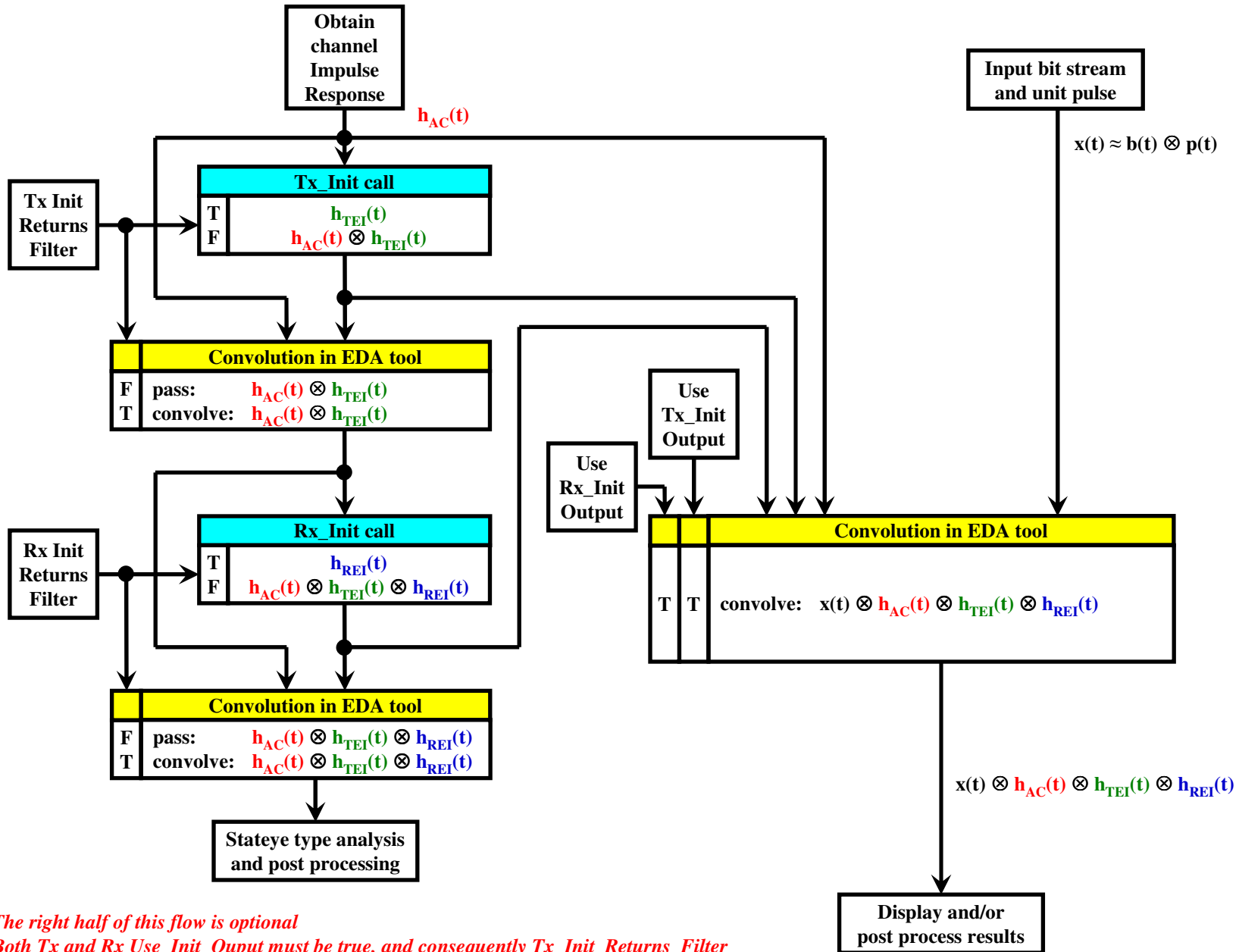
Walter's Proposed AMI Flow (9/15/2009) - only Rx_GetWave



Notes:

1. Tx Use_Init_Output must be true, and consequently Tx_Init_Returns_Filter must be true or fed into the convolution box on the right
2. If the Rx Use_Init_Output is true, Rx_Init_Returns_Filter must be true or it must be fed into the convolution box on the right

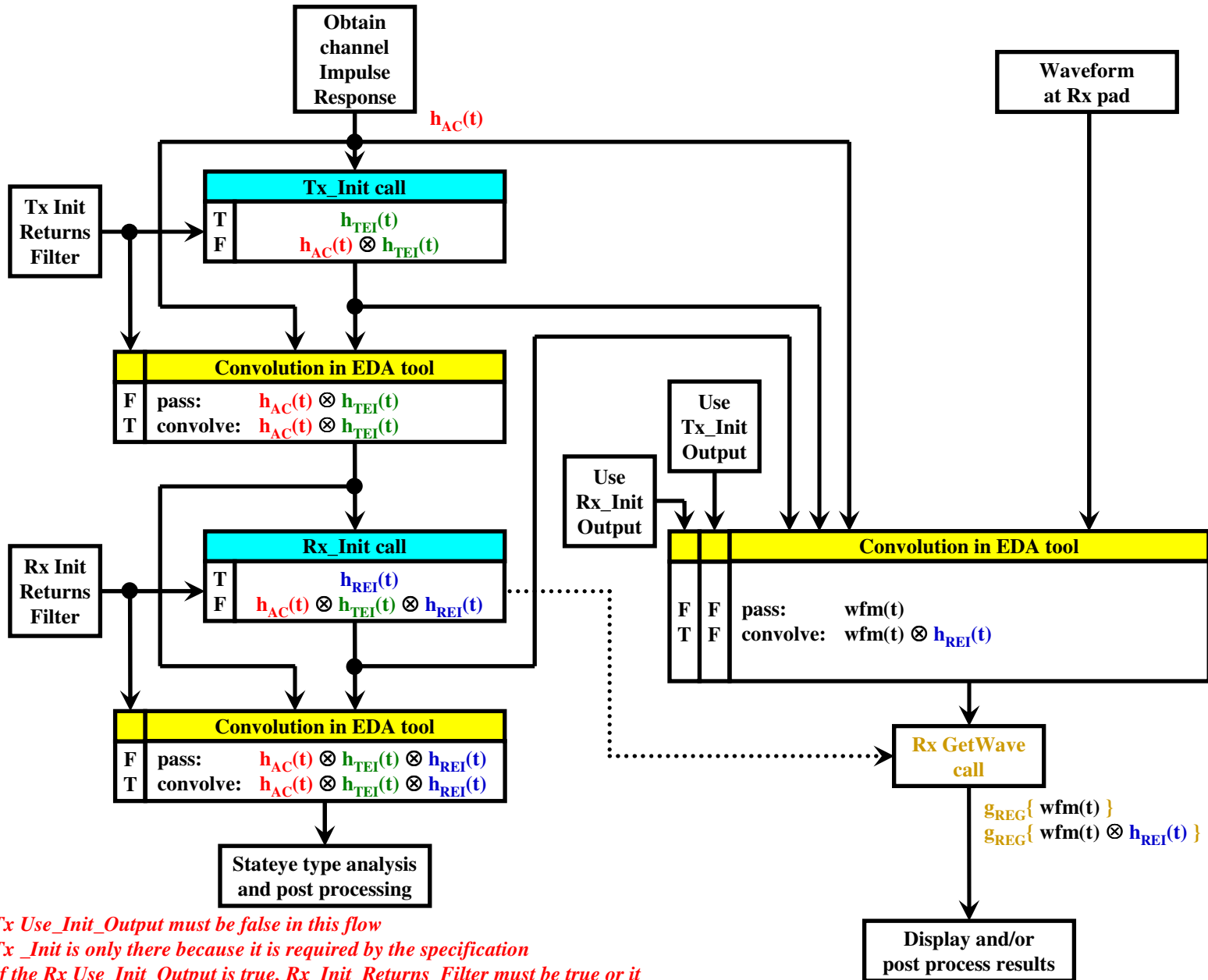
Walter's Proposed AMI Flow (9/15/2009) - no GetWave



Notes:

1. The right half of this flow is optional
2. Both Tx and Rx Use_Init_Ouput must be true, and consequently Tx_Init_Returns_Filter and Rx_Init_Returns_Filter must be true or fed into the convolution box on the right

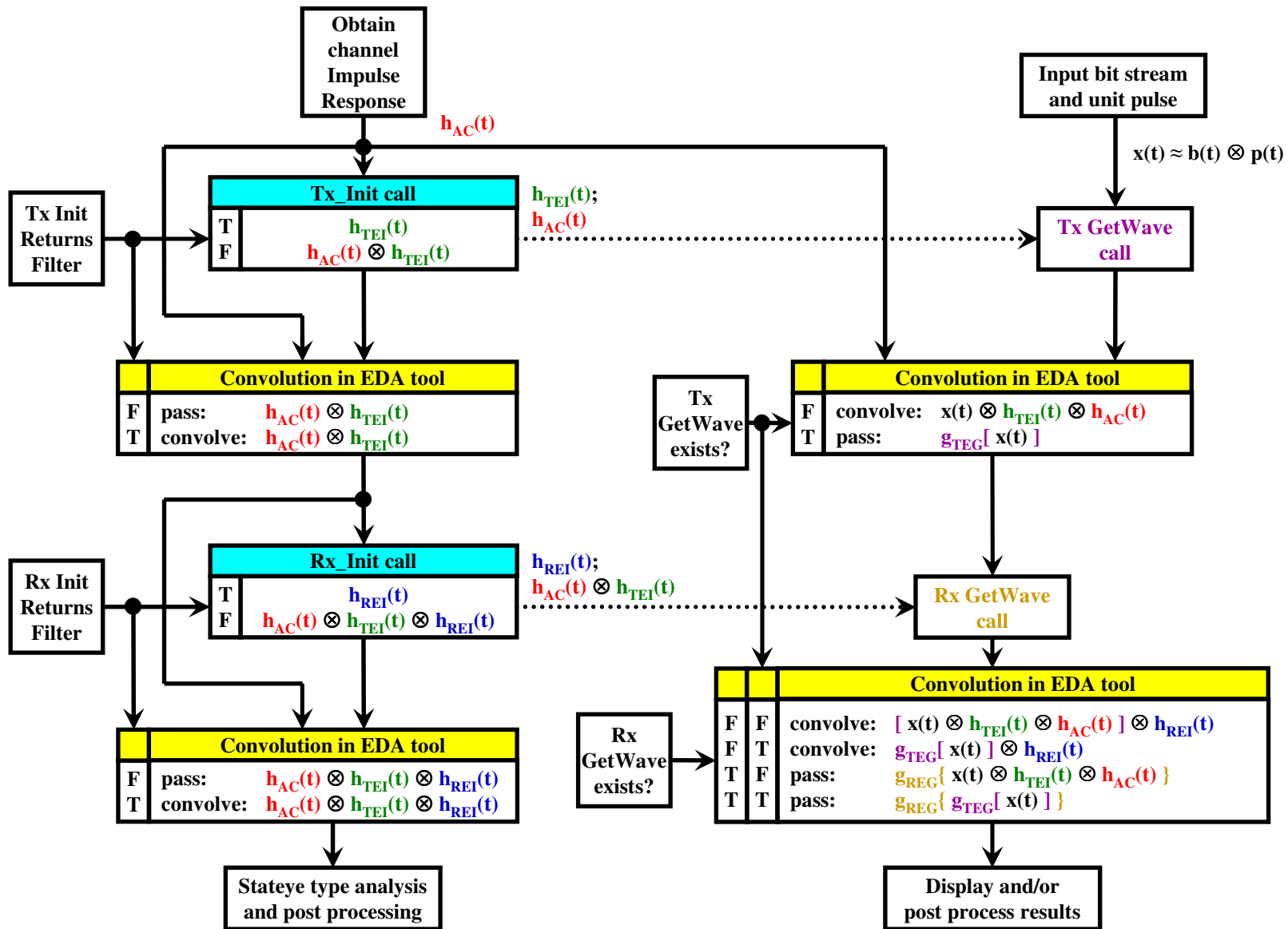
Walter's Proposed AMI Flow (9/15/2009) - wfm with Rx_GetWave



Notes:

1. Tx Use_Init_Output must be false in this flow
2. Tx_Init is only there because it is required by the specification
3. If the Rx Use_Init_Output is true, Rx_Init_Returns_Filter must be true or it must be fed into the convolution box on the right

AMI Flow Proposed in the 9/29/2009 ATM meeting - complete



AMI Flow Proposed in the 9/29/2009 ATM meeting - wfm with Rx_GetWave

