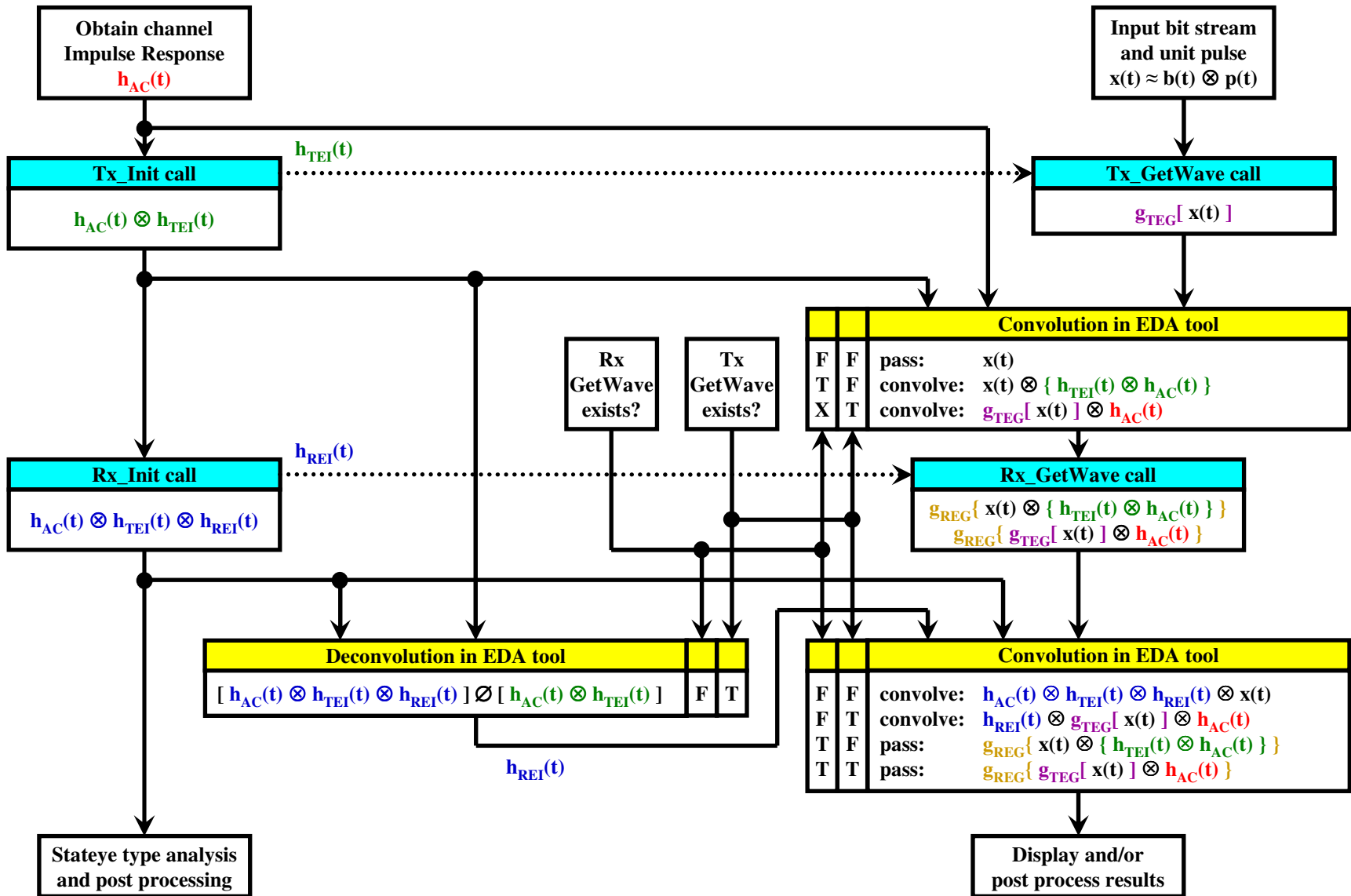
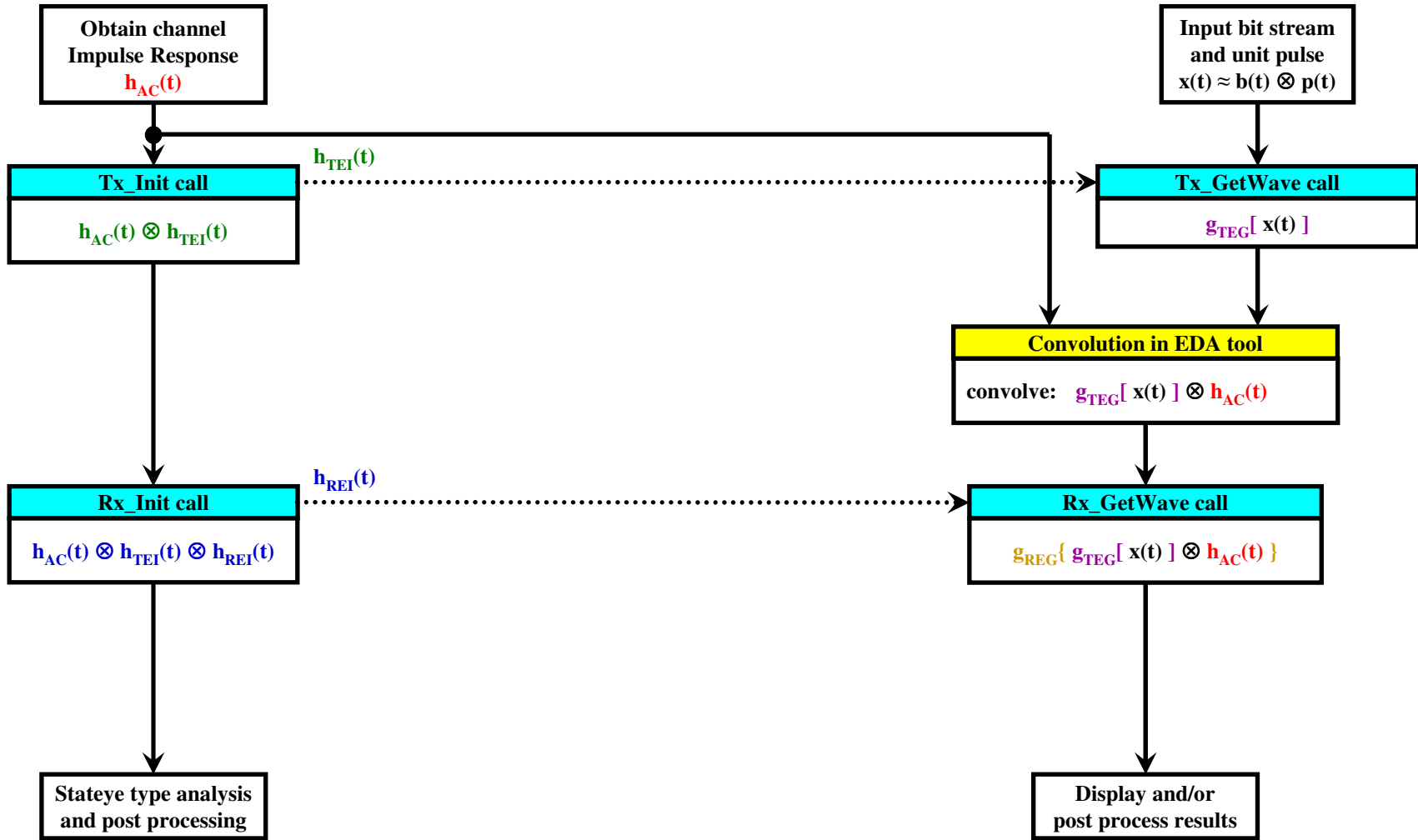


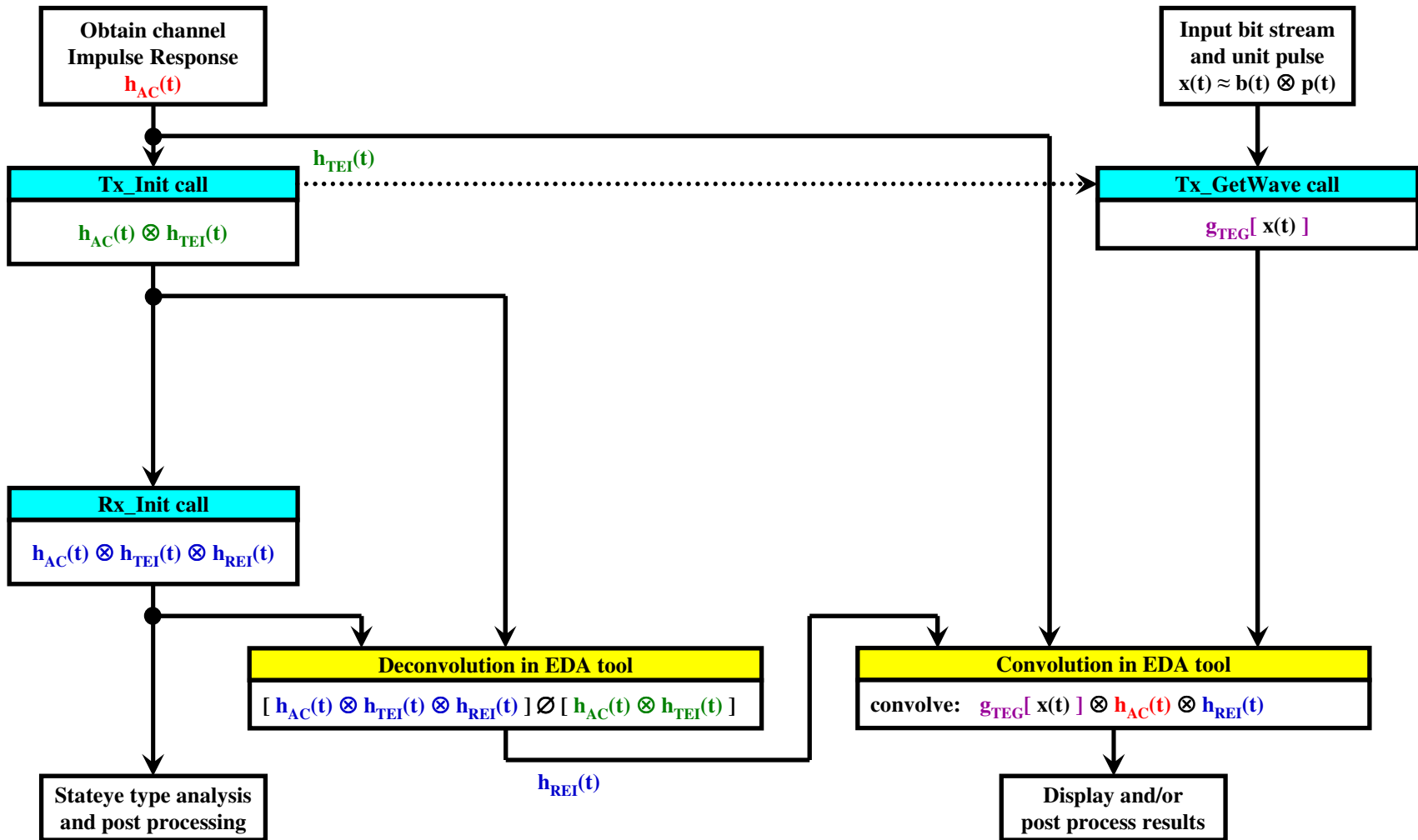
AMI flow proposed in the 10/6/2009 ATM meeting - all in one



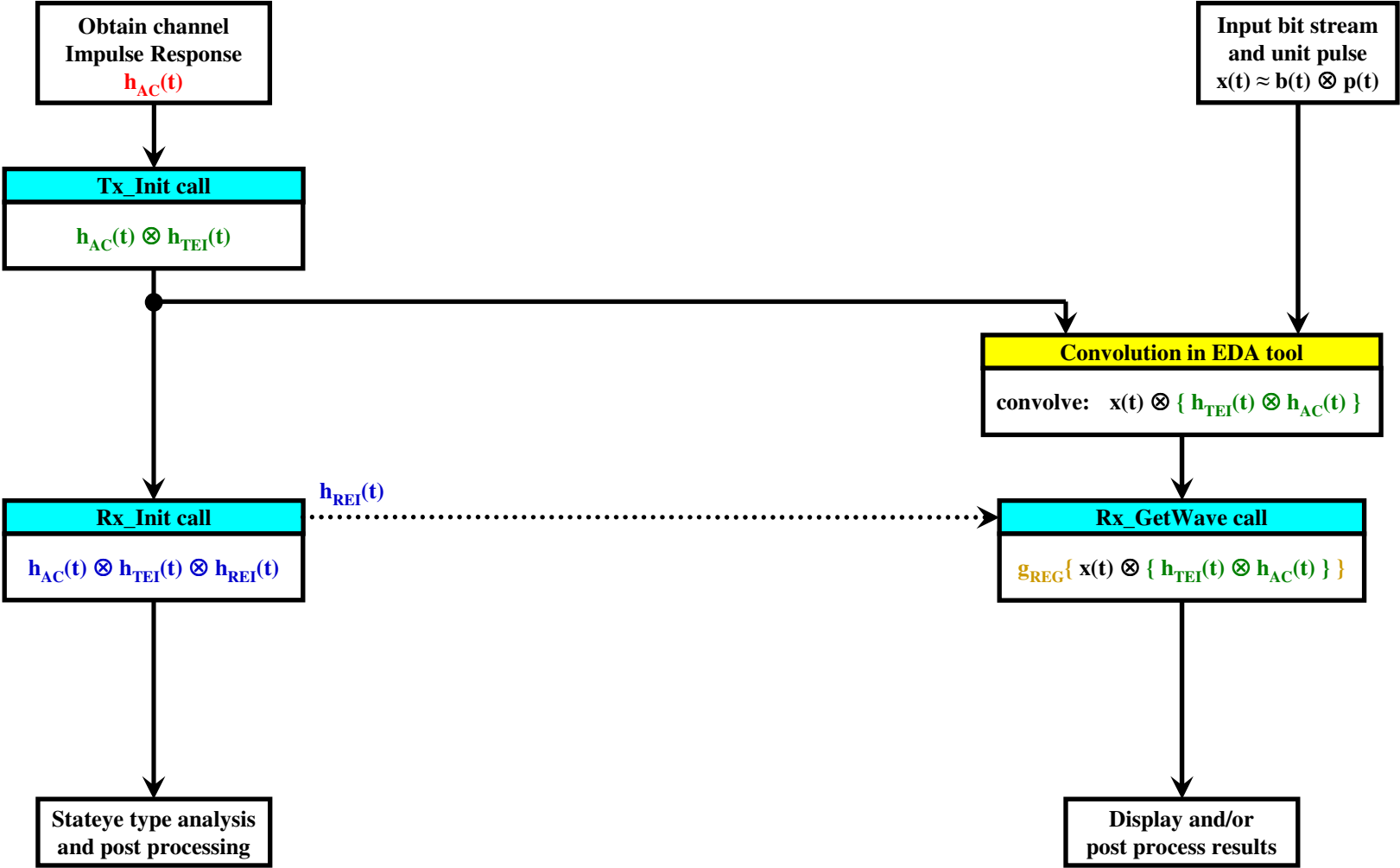
AMI flow proposed in the 10/6/2009 ATM meeting - both GetWaves exist



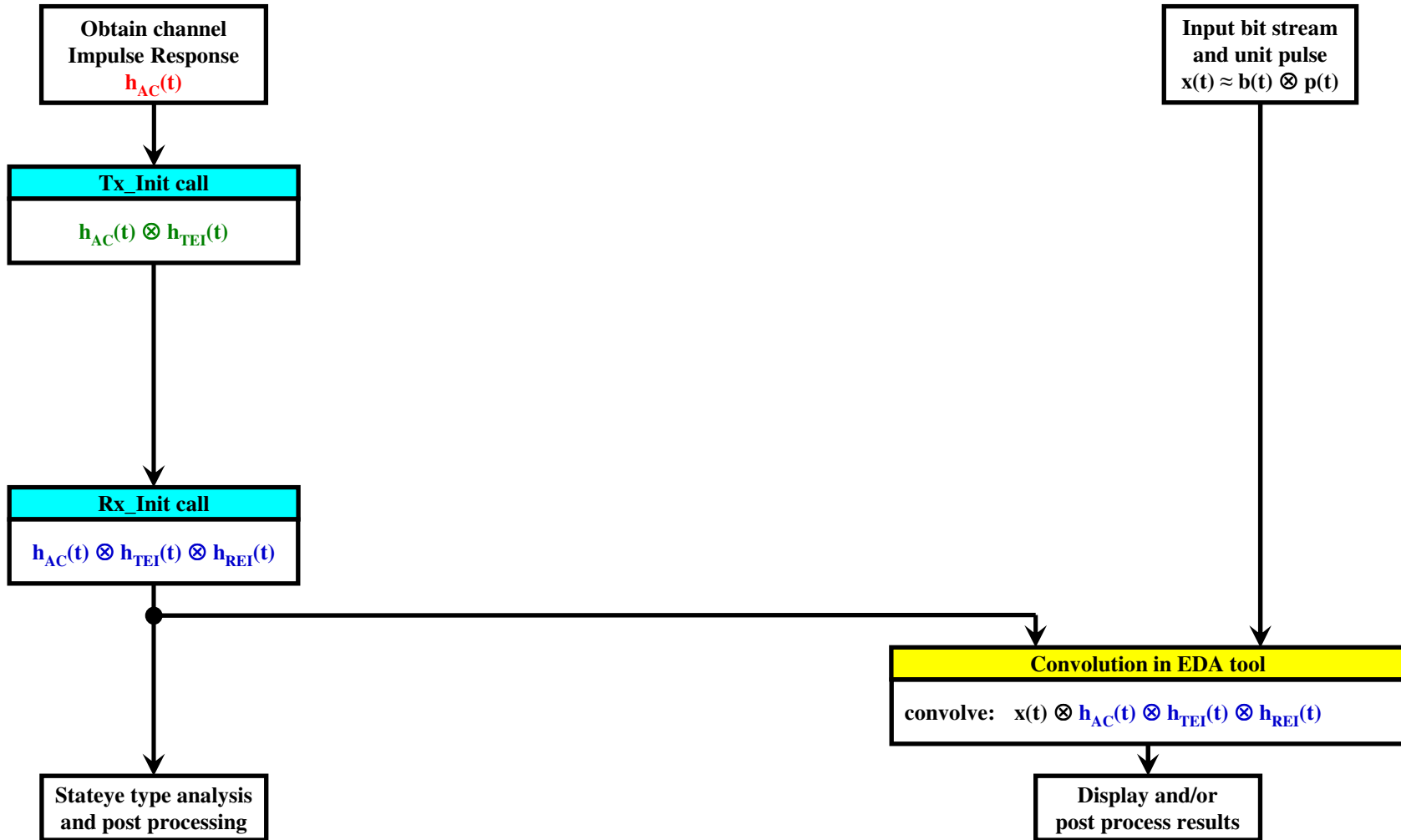
AMI flow proposed in the 10/6/2009 ATM meeting - Tx_GetWave only



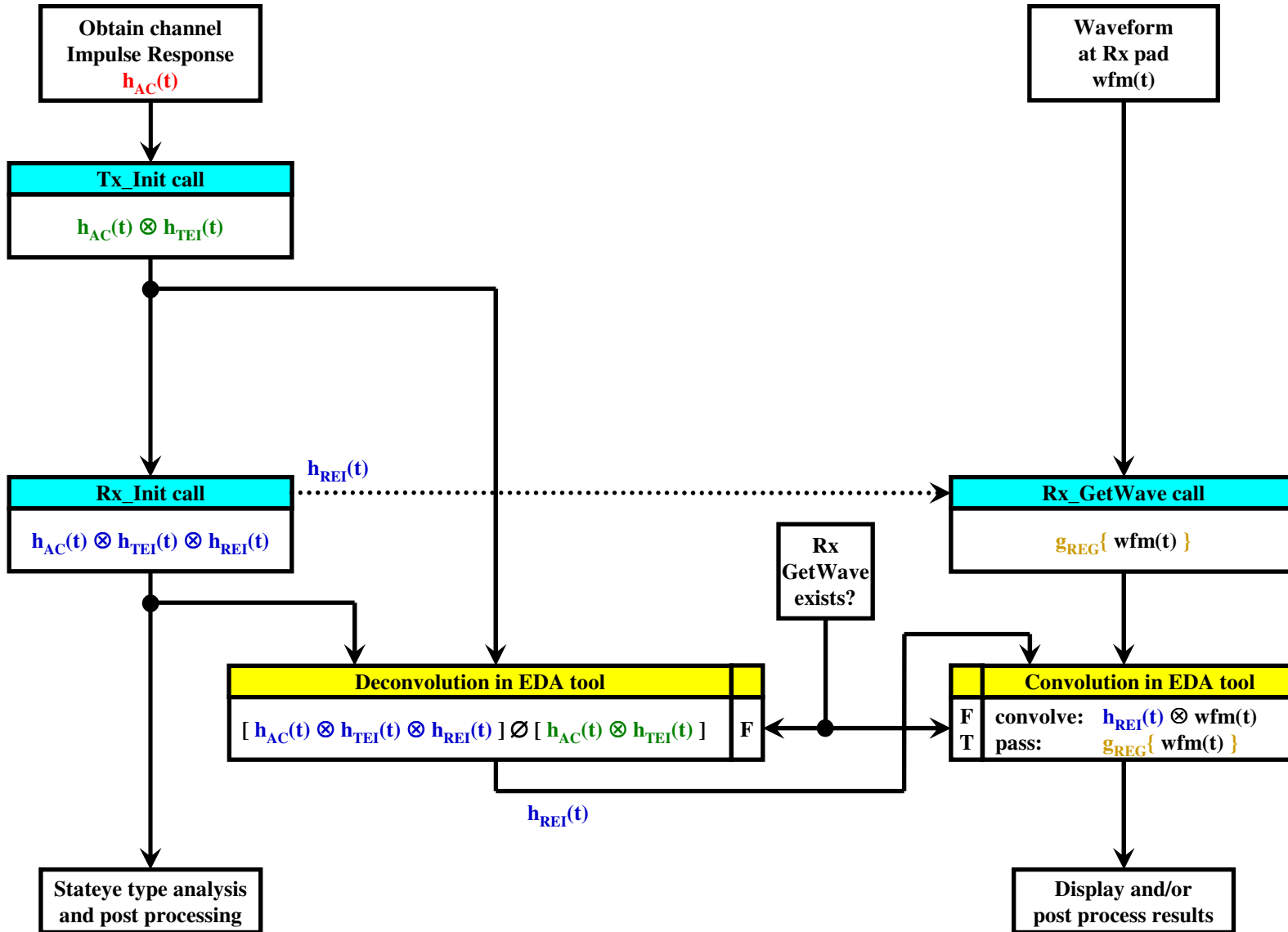
AMI flow proposed in the 10/6/2009 ATM meeting - Rx_GetWave only



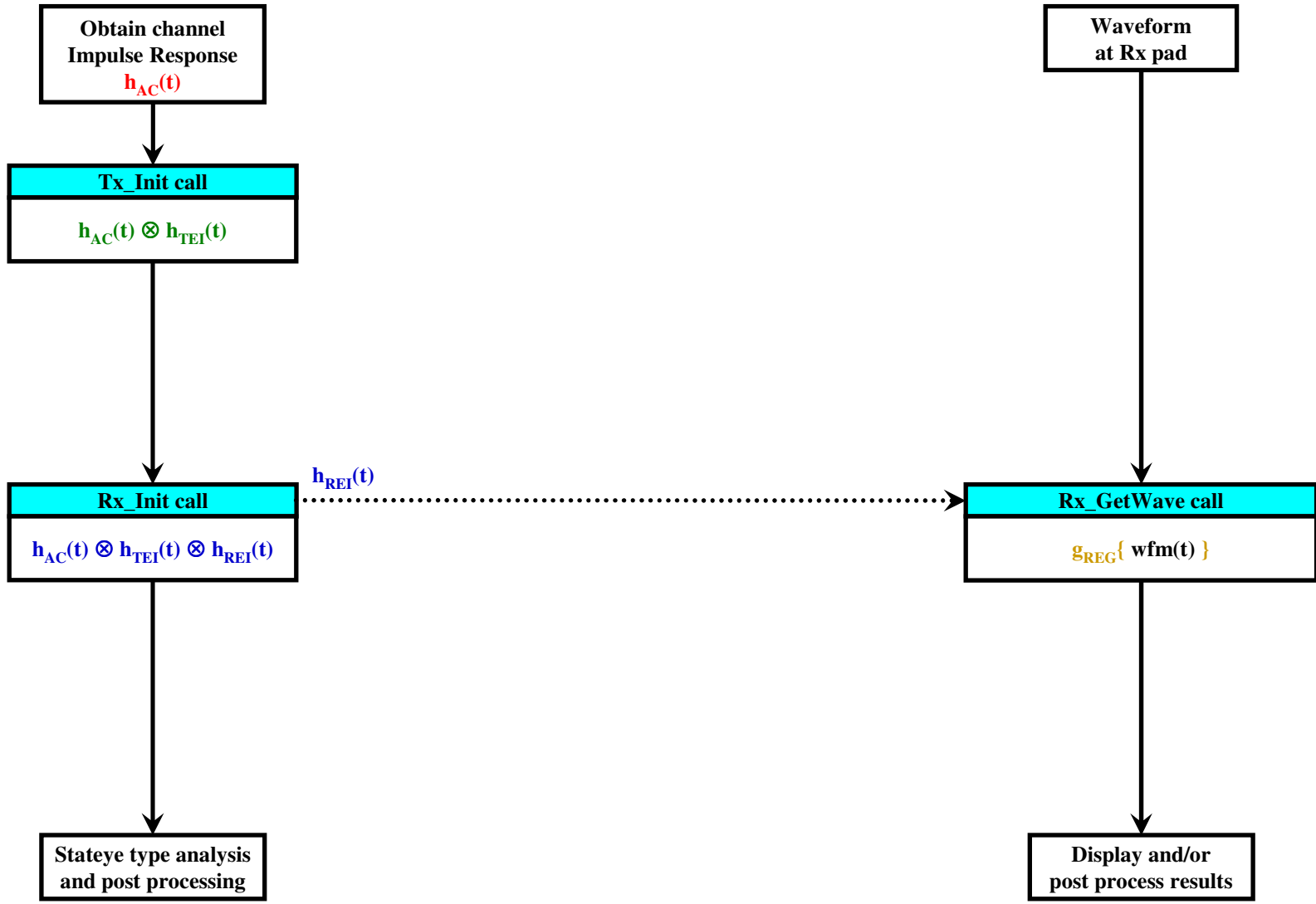
AMI flow proposed in the 10/6/2009 ATM meeting - no GetWave



AMI flow proposed in the 10/6/2009 ATM meeting - wfm cases in one



AMI flow proposed in the 10/6/2009 ATM meeting - wfm with Rx_GetWave



AMI flow proposed in the 10/6/2009 ATM meeting - wfm without GetWave

