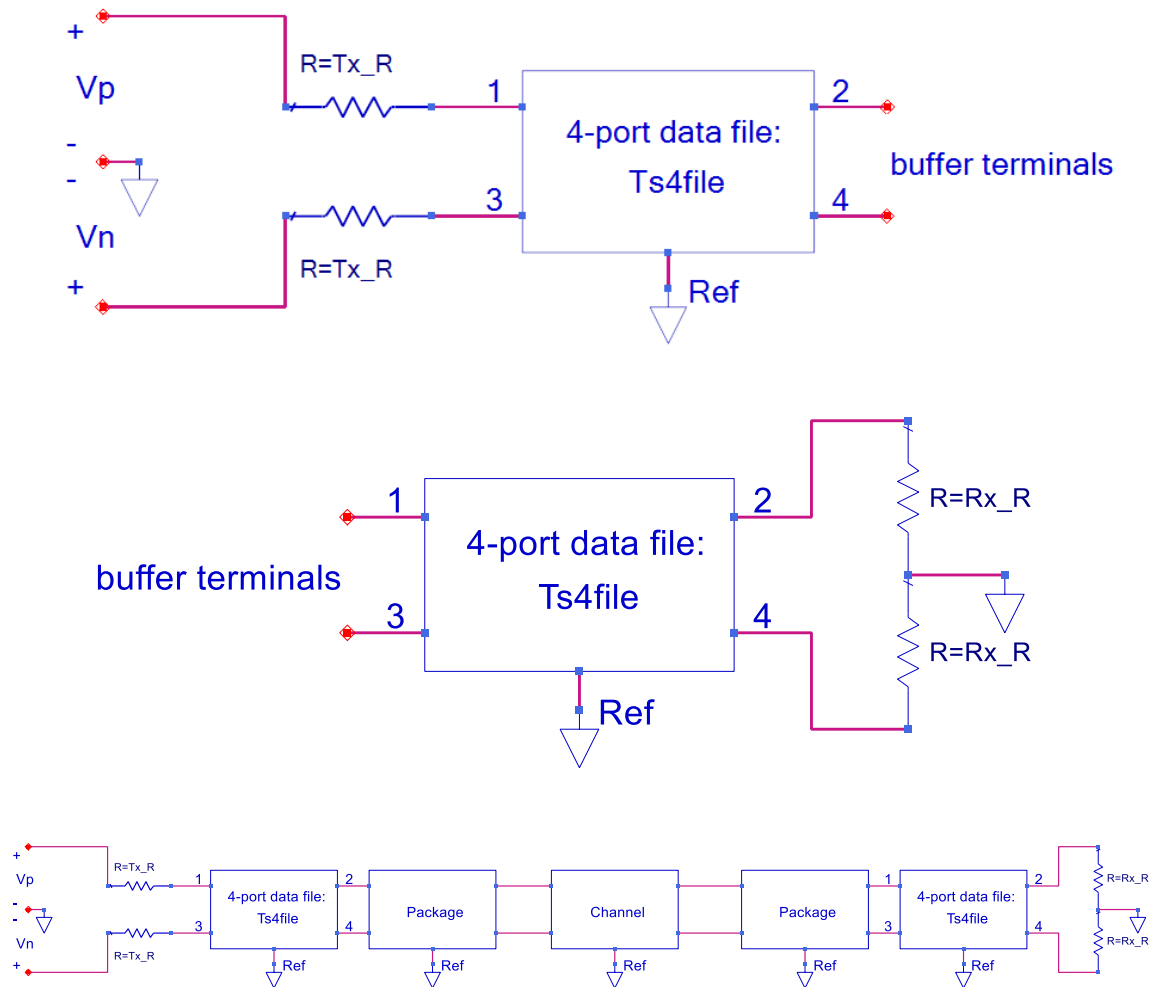
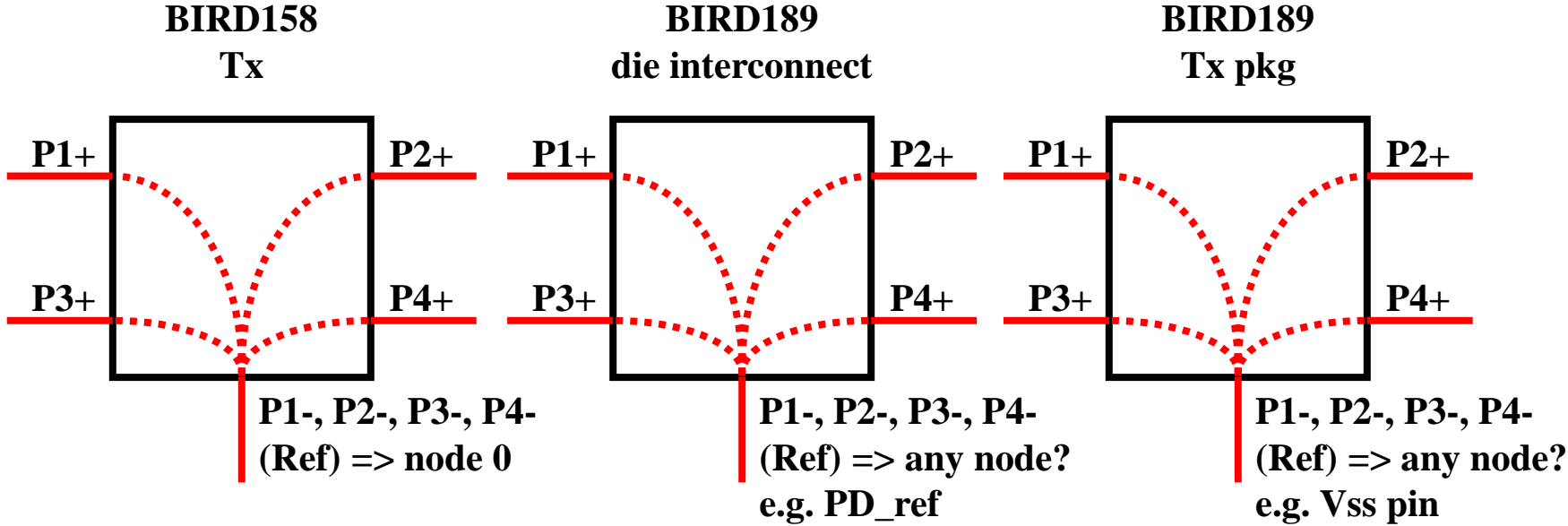


BIRD158:

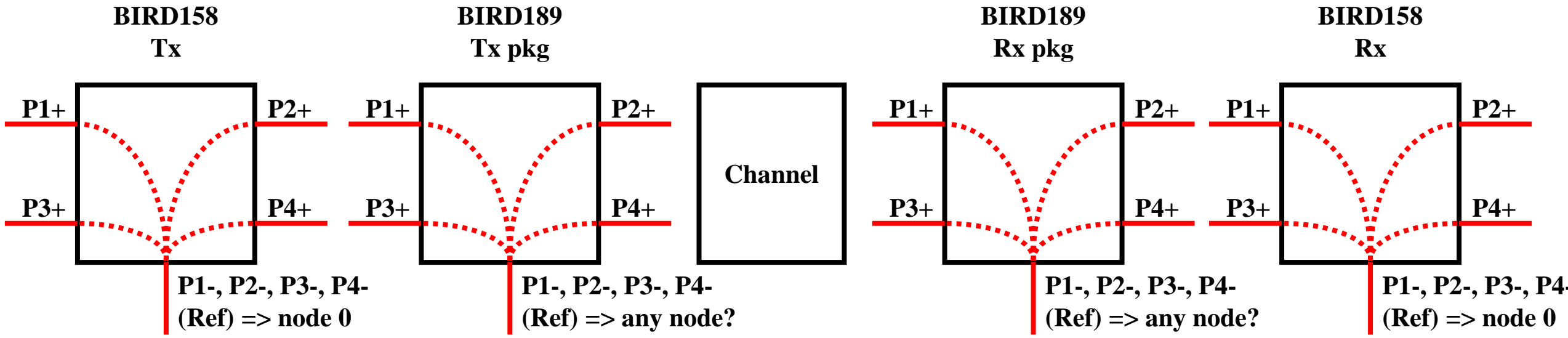


Note: The triangle ground symbols in the Tx, Rx and channel circuits **represent the same node**. This node would typically be the global ground, such as node 0 in IBIS-ISS.

BIRD158 + BIRD189:



BIRD158 + BIRD189 + channel:



Recommendation (from Vladimir):

